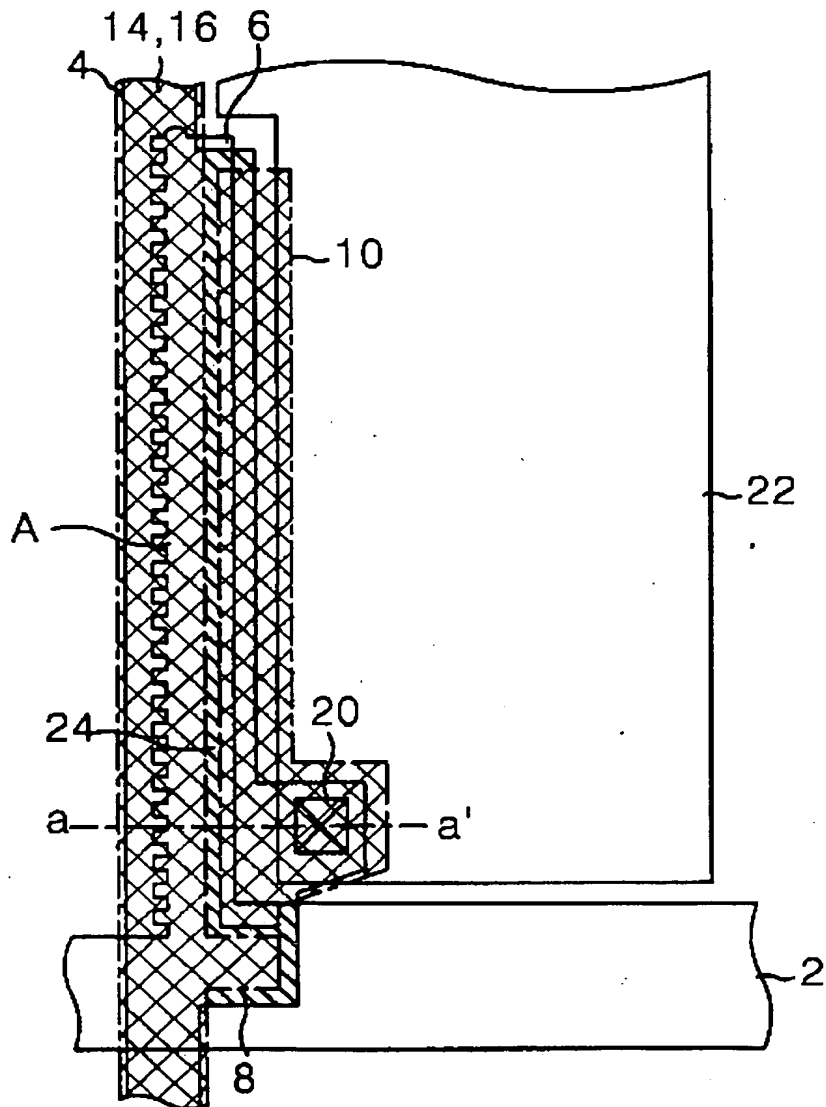
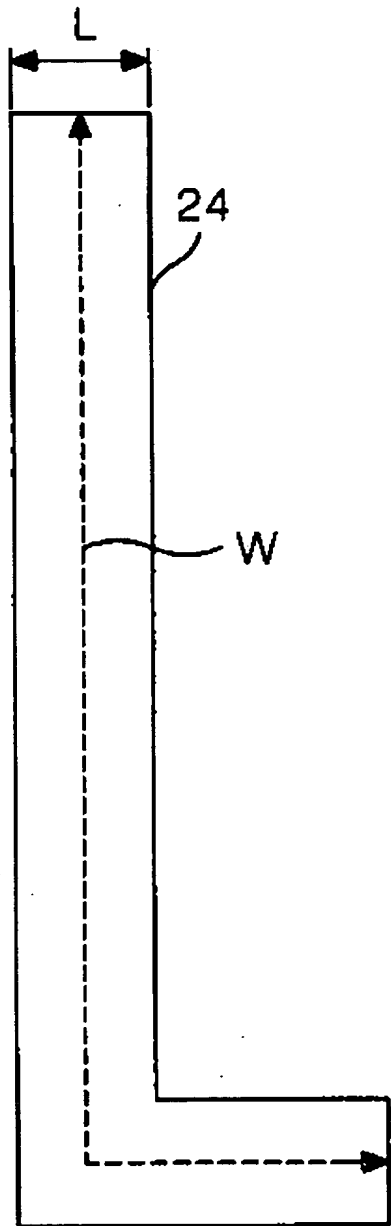


FIG. 1
CONVENTIONAL ART



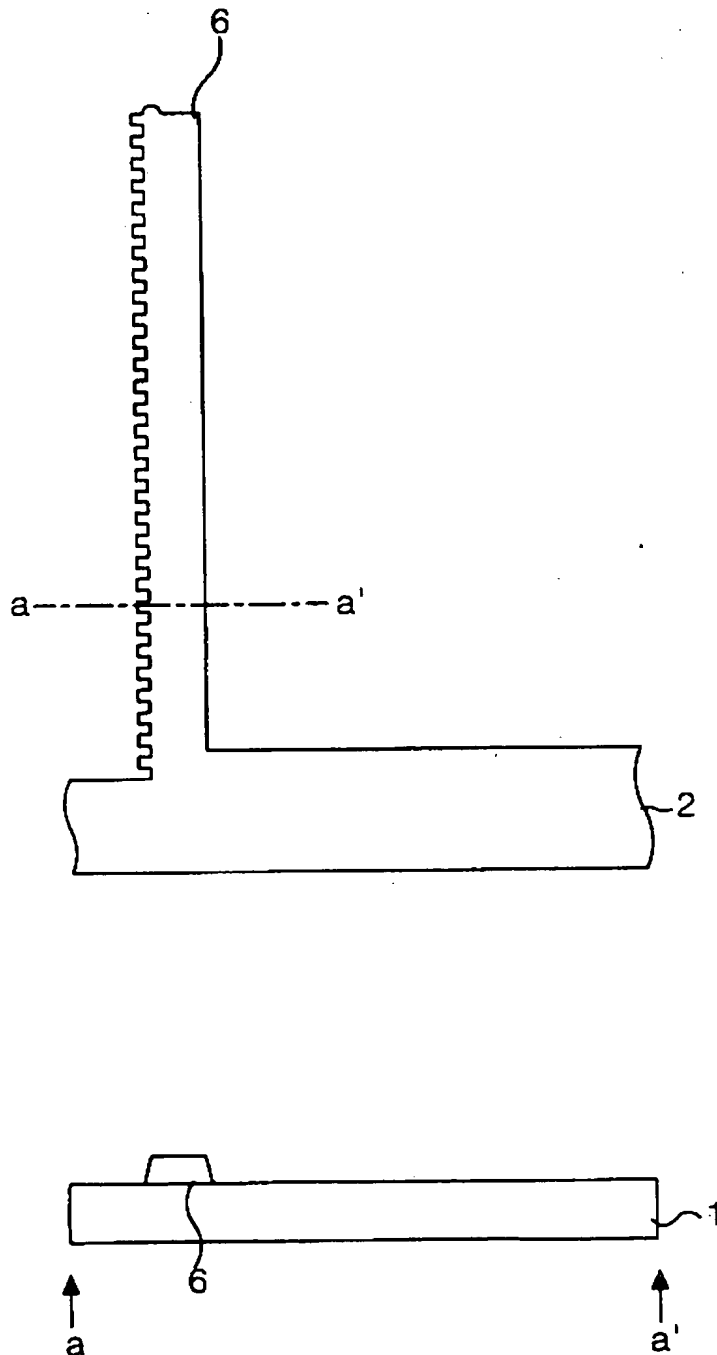
09893976-062901
T06290" 976E6860

FIG. 2
CONVENTIONAL ART



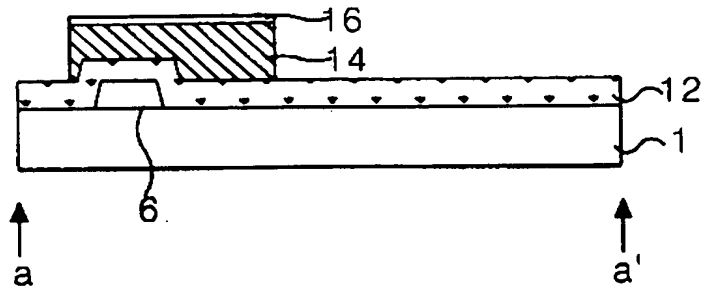
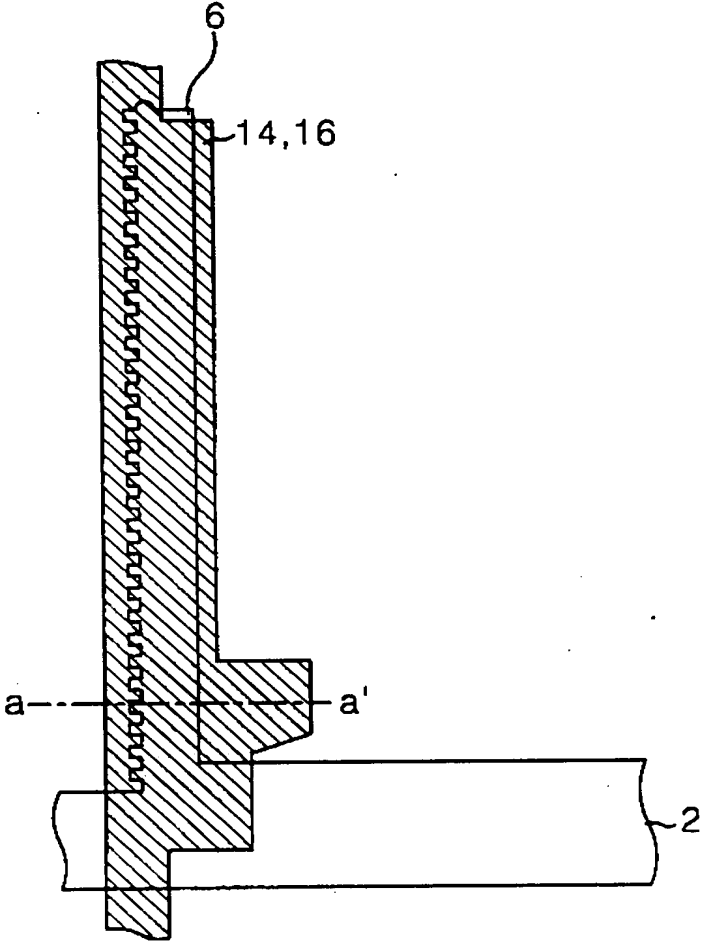
09893975 062901
T06290" 926E6860

FIG. 3A
CONVENTIONAL ART



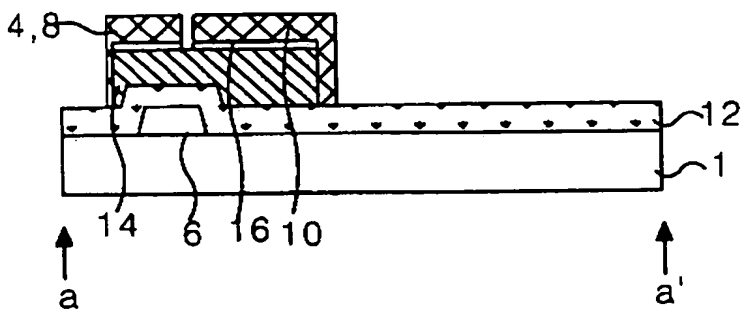
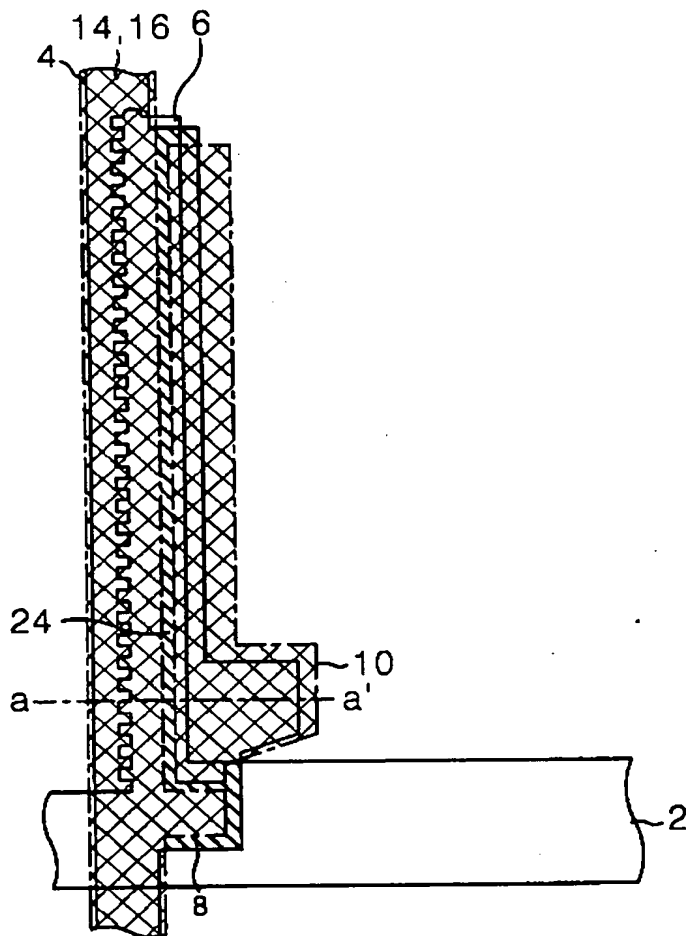
0993976 062901

FIG. 3B
CONVENTIONAL ART



0989979.9Z6E6860

FIG. 3C
CONVENTIONAL ART



FO6290" 926E860

FIG. 3D
CONVENTIONAL ART

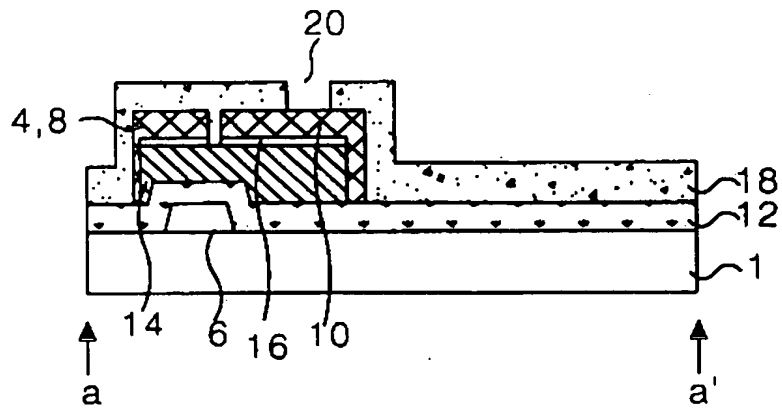
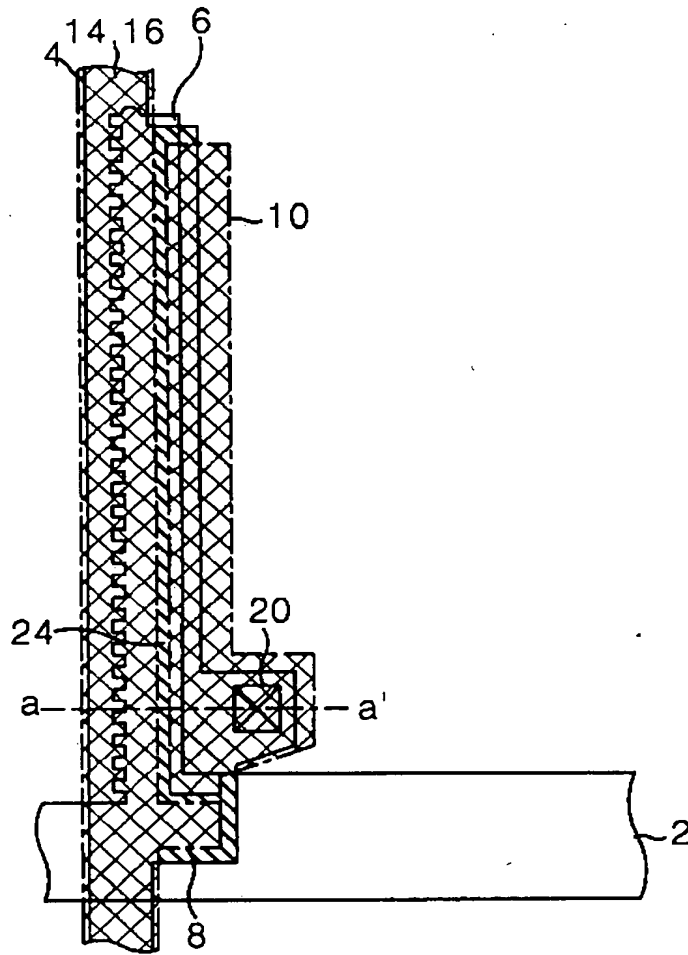
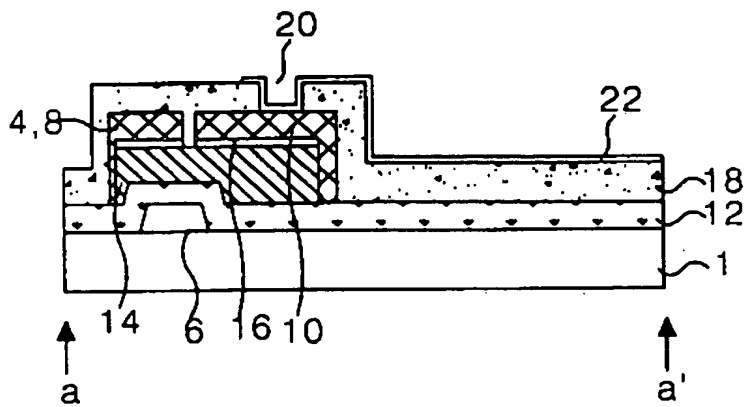
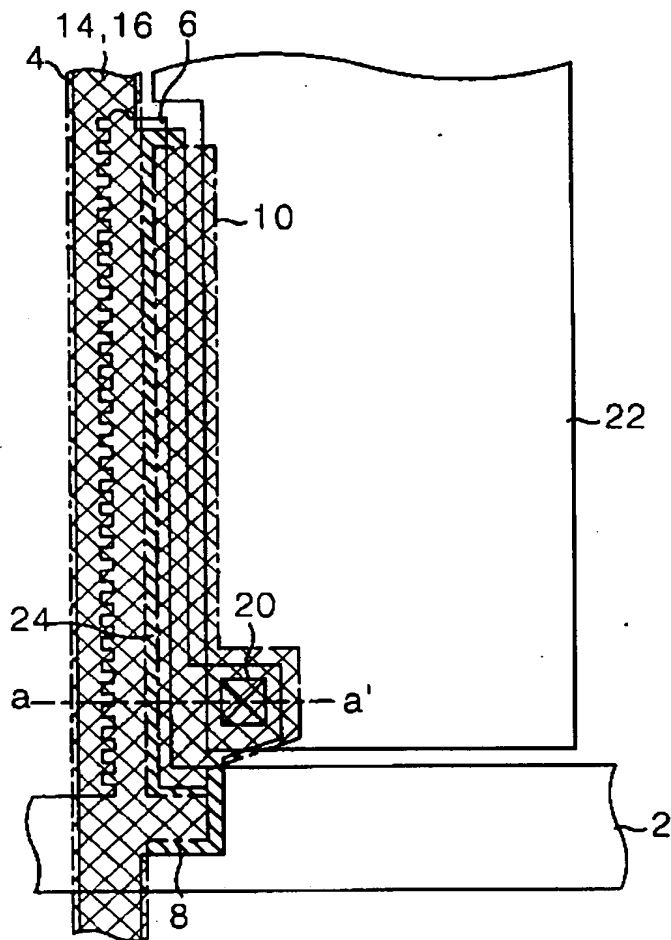


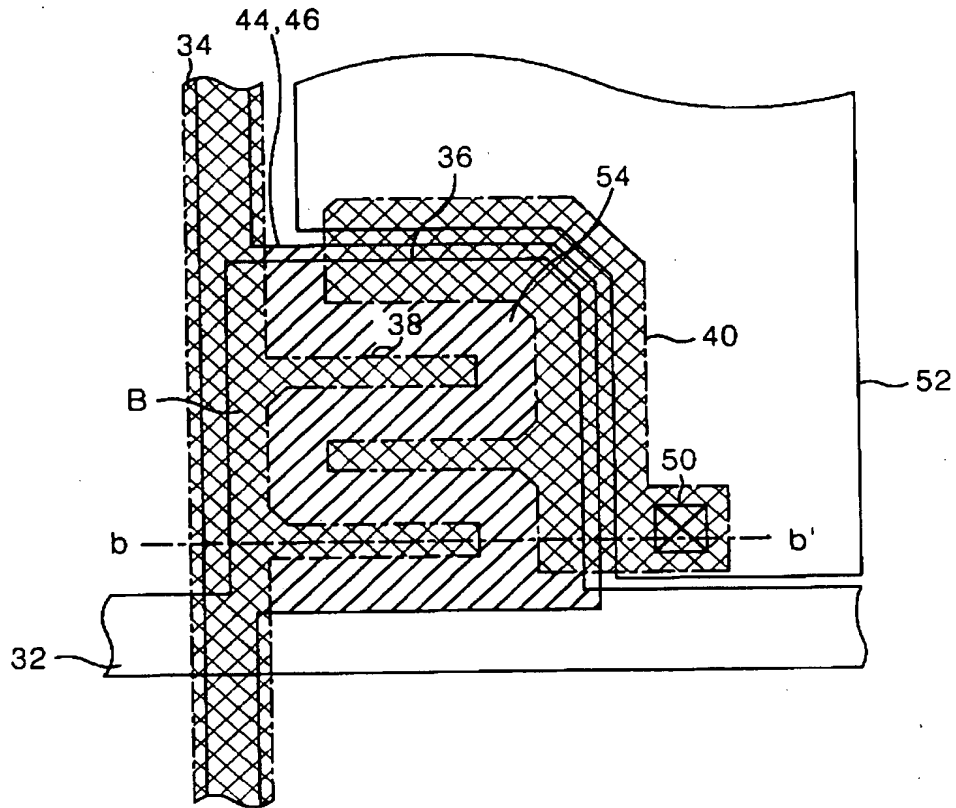
FIG. 3D

FIG. 3E
CONVENTIONAL ART



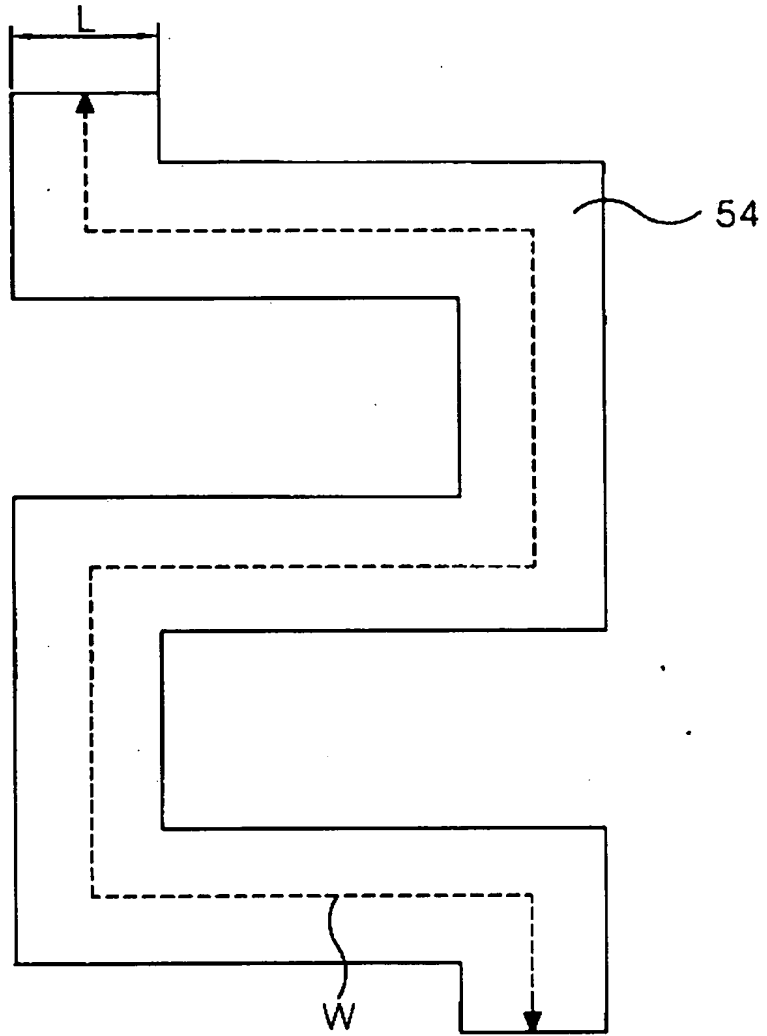
FO6290" 926E6860

FIG. 4



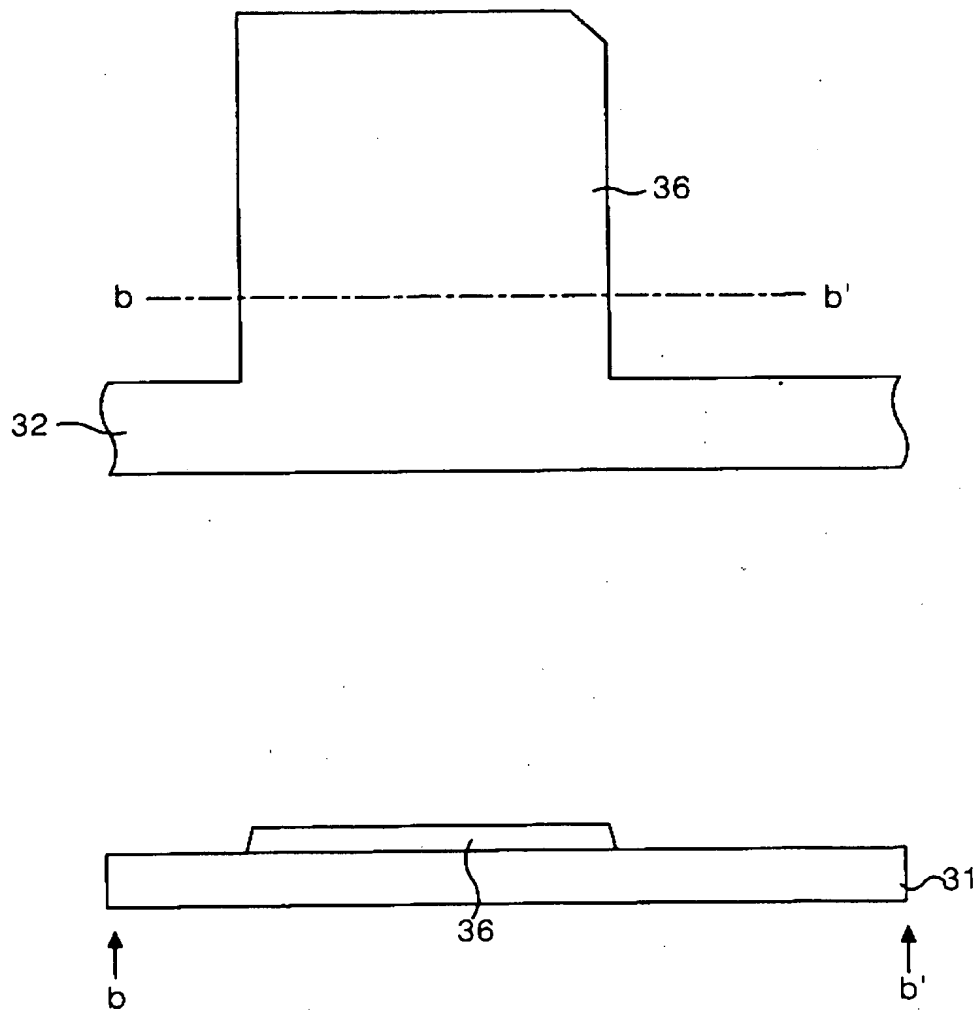
FOR 90° 9268860

FIG. 5



FO6290" 926E6860

FIG. 6A



9269976-052904

FIG. 6B

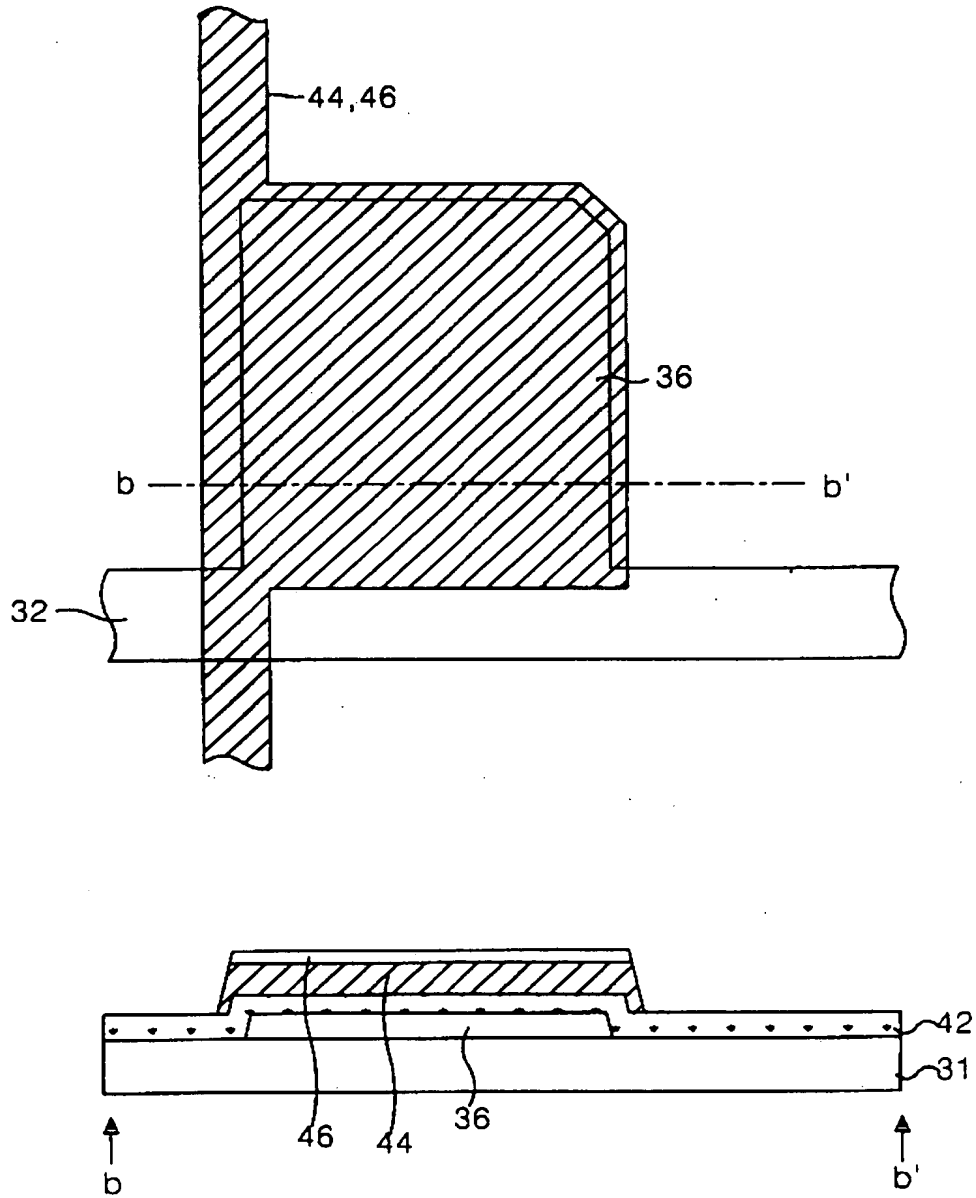
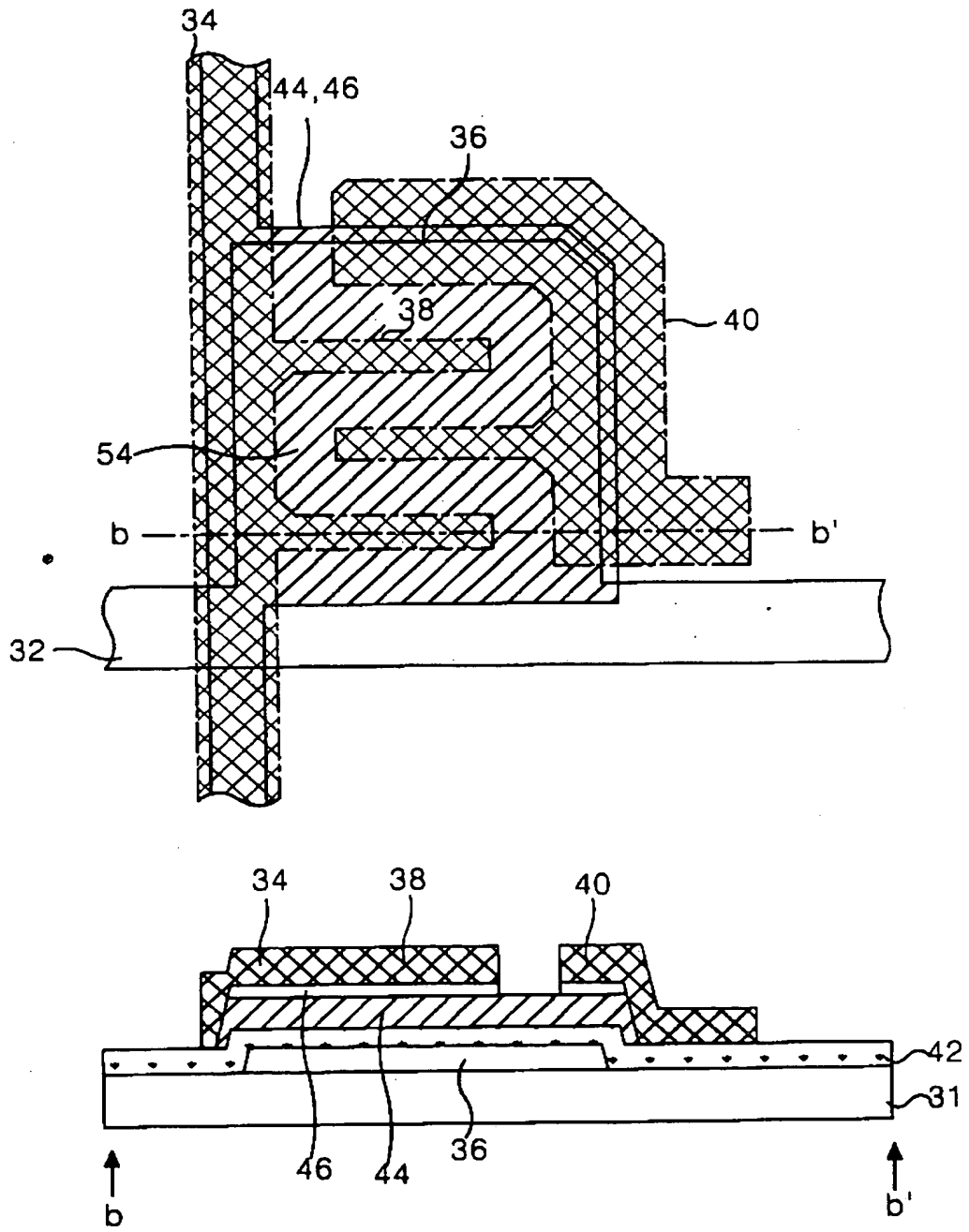


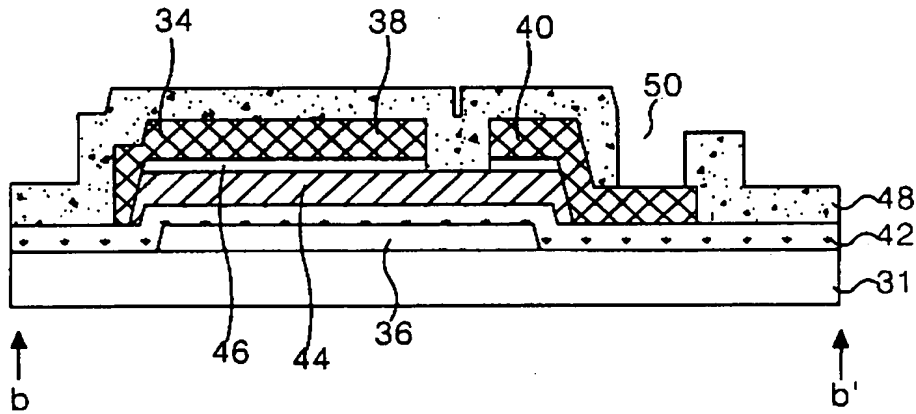
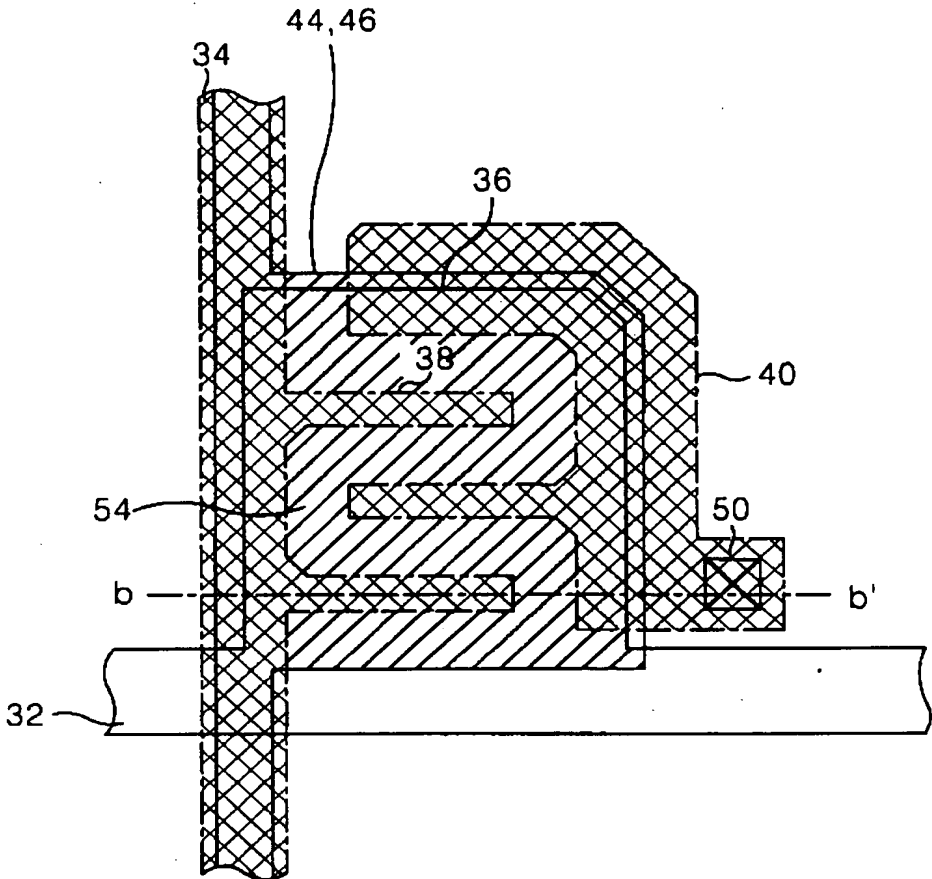
FIG. 6B

FIG. 6C



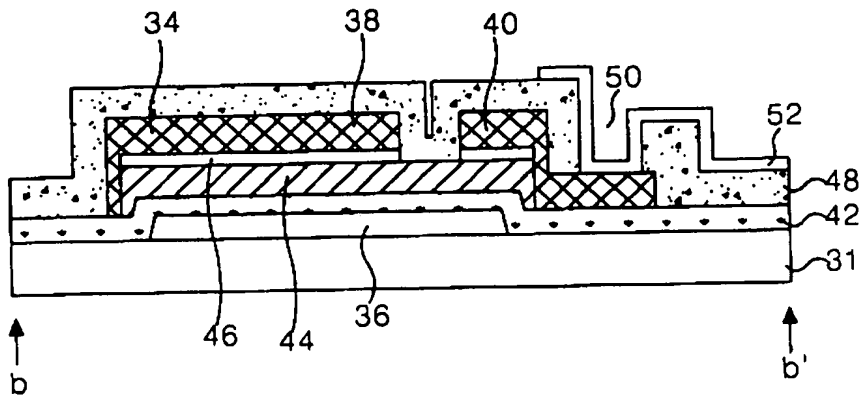
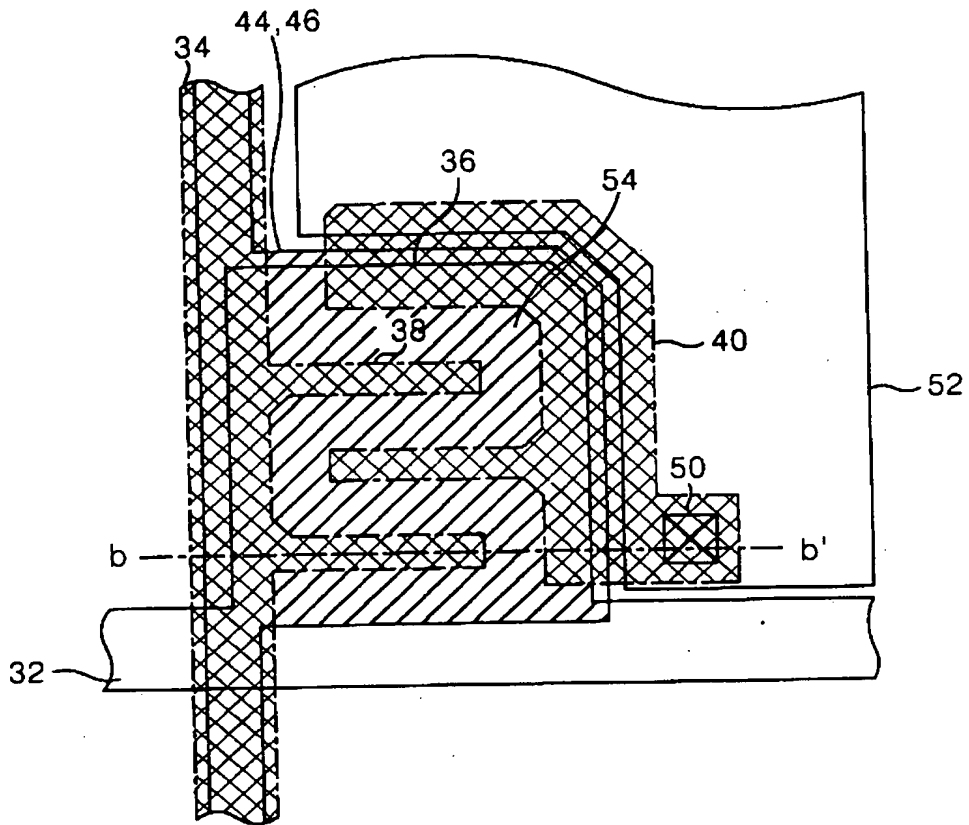
098997.06901

FIG. 6D



09993975 062901

FIG. 6E



FO6290" 926E6860